

GENERAL SPECIFICATIONS

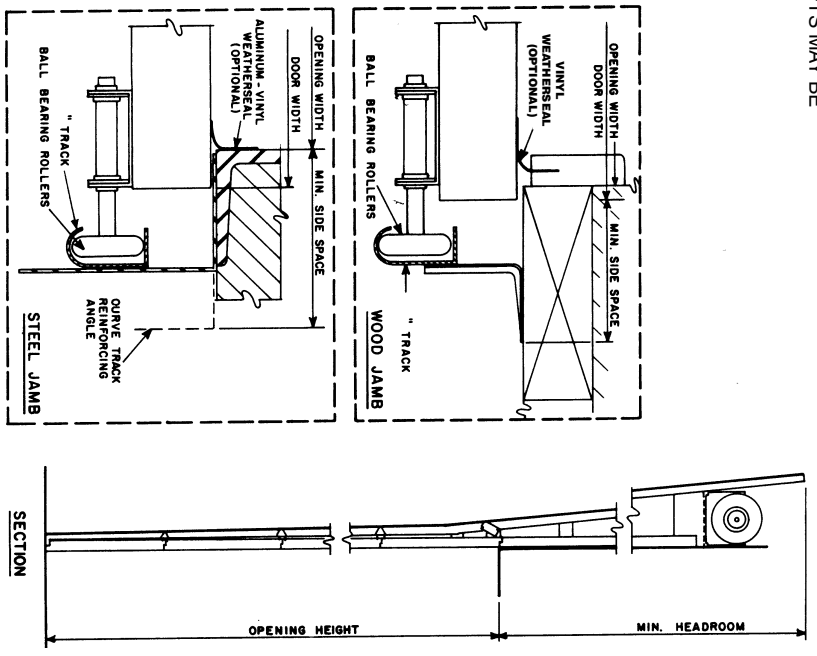
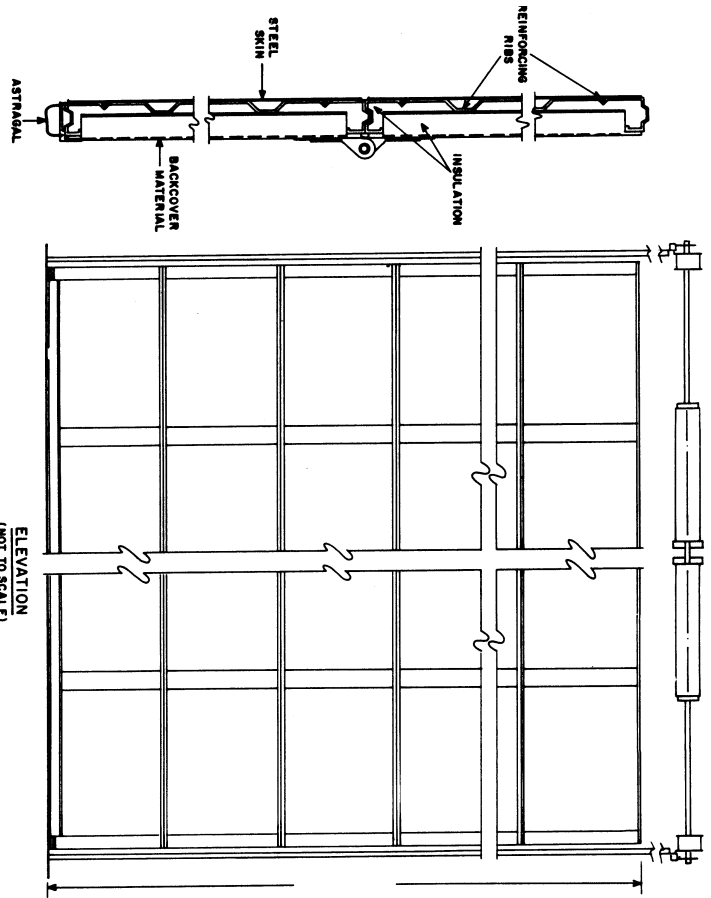
SECTIONS 2" THICK SECTIONS TO BE \_\_\_\_\_ GA. GALVANIZED STEEL WITH BAKED ACRYLIC WHITE EXTERIOR, GRAY INTERIOR (EXCLUDING STILES), END STILES TO BE 16 GA. GALVANIZED STEEL DRILLED FOR HARDWARE ATTACHMENT. INTERMEDIATE STILES TO BE 16 GA. GALVANIZED STEEL, MEETING RAILS RABBETED FOR WEATHER-TIGHT JOINT. OPTIONAL POLYSTYRENE INSULATION WITH BACK-UP COVER, RIBS ON 24 AND 20 GA. ONLY. 16 GA. SECTIONS HAVE FLUSH FACES, BALL BEARING ROLLERS WITH CASE HARDENED RACES AND INCLINED TRACK FOR WEATHERTIGHT CLOSURE. TORSION SPRINGS OF OIL TEMPERED WIRE, WITH GALVANIZED CABLES FOR COUNTERBALANCING. ALL ROLLER HINGES, BRACKET AND FIXTURES ARE 13 GAUGE OR HEAVIER STEEL. HARDWARE AND METAL PARTS OTHER THAN TORSION SPRING OF GALVANIZED STEEL.



JOB REQUIREMENTS  
 EA. @ \_\_\_\_\_' WIDTH X \_\_\_\_\_' HEIGHT  
 EA. @ \_\_\_\_\_' WIDTH X \_\_\_\_\_' HEIGHT  
 DOORS TO BE \_\_\_\_\_ PANELS WIDE AND \_\_\_\_\_ SECTIONS HIGH.  
 WINDOW LIGHTS IF REQUIRED, WILL BE \_\_\_\_\_ X \_\_\_\_\_ AND WILL BE GLAZED WITH \_\_\_\_\_ AND WILL BE \_\_\_\_\_ AND IN PANEL(S) \_\_\_\_\_ LOCATED IN SECTION # \_\_\_\_\_ AND IN PANEL(S) \_\_\_\_\_ DOORS (IF REQUIRED) WILL ALSO BE FURNISHED WITH: \_\_\_\_\_

\* NOTE: MIN. 4" WIDE PADS ARE REQUIRED FOR SPRING BRACKET ATTACHMENT AS DICTATED BY DOOR REQUIREMENTS OF SIZE, WEIGHT AND LIFT CLEARANCE. PADS FURNISHED AND INSTALLED BY OTHERS. ALL SPRING MOUNTING PADS TO BE FLUSH WITH JAMB.

\* NOTE: SIZE AND DIAMETER OF SPRING WIRE IS DETERMINED BY WEIGHT, AND LIFT OR CYCLE REQUIREMENTS OF THE DOOR. MULTIPLE SPRINGS OR SHAFTS MAY BE NECESSARY.



VERTICAL LIFT - STEEL CONSTRUCTION

**MIDLAND** GARAGE DOOR MFG. CO.  
 SUPPLIER: \_\_\_\_\_  
 ADDRESS: \_\_\_\_\_  
 PHONE: ( \_\_\_\_\_ ) \_\_\_\_\_

JOB: \_\_\_\_\_  
 LOCATION: \_\_\_\_\_  
 CONTRACTOR: \_\_\_\_\_

DATE: \_\_\_\_\_  
 DRAWN BY: \_\_\_\_\_  
 DRAWING NO. \_\_\_\_\_